



HONGYAO Lighting

Specification Sheet

LED Center Basket Troffer



Zhejiang Hongyao Lighting Electrical Co., Ltd

No.209 Shennan Rd. Da Yang Jie Dao, Linhai City. Zhejiang China 317000 www.chongyao.com
Trading@chongyao.com Tel: +86 576-85381918 Fax:+86 576-85381913



SPECIFICATIONS

FEATURE

- Featuring tunable White Color Temperature: 3000K,4000K and 5000K
- Adjustable Wattage to meet different customer demand
- 0-10V Dimmable
- Body: Aluminum Heatsink for Efficient Heat Dissipation
- Diffusers are extruded from impact modified acrylic for increased durability
- High efficiency: 130lm/w, DLC premium listed
- WARRANTY--5-year limited warranty

OPTION

- Emergency Back-up
- Motion Sensor



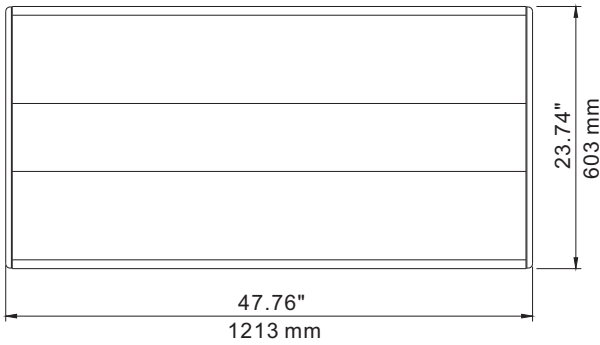
APPLICATION

- offices, schools, showrooms, airports, retail, locations, and healthcare facilities
- Recessed

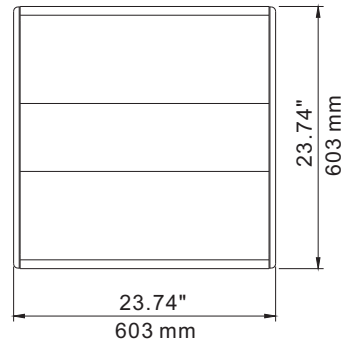
| Specifications | | |
|-------------------|--|----------------------|
| Model No. | HY-TRCB-XXW2x2P-XXK | HY-TRCB-XXW2x4P-XXK |
| Power: | 25W/35W | 33W/40W/50W |
| Size: | 2'x2' | 2'x4' |
| Input Voltage: | 120-277 VAC | |
| Dimming | 0-10V Dimmable | |
| Lumens | 3250LM/4550LM | 4290LM/5200LM/6500LM |
| Protection Rating | IP20 (For Indoor Use Only) | |
| Power Factor: | >0.9 | |
| Beam Angle | 110° | |
| CCT: | 3000K/4000K/5000K | |
| CRI: | >80 | |
| Working Life: | Lumen Maintenance over 70% @ 50,000+ Hours | |
| Oper. Temperature | -13°F ~+113°F / -25°C ~+45°C | |
| Certification | DLC Premium / ETL | |

PRODUCT DIMENSIONS

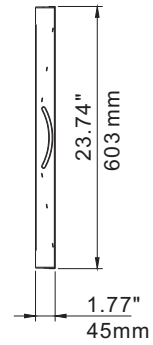
2x4 Front View



2x2 Front View



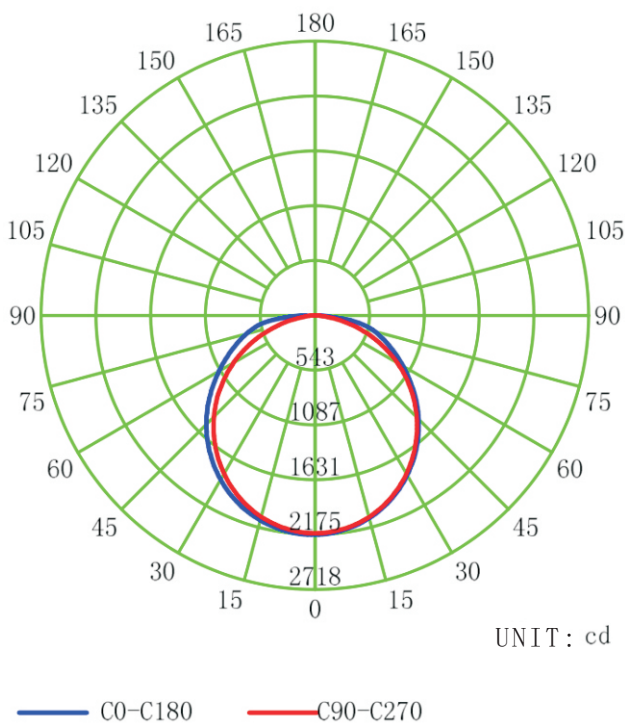
Side View



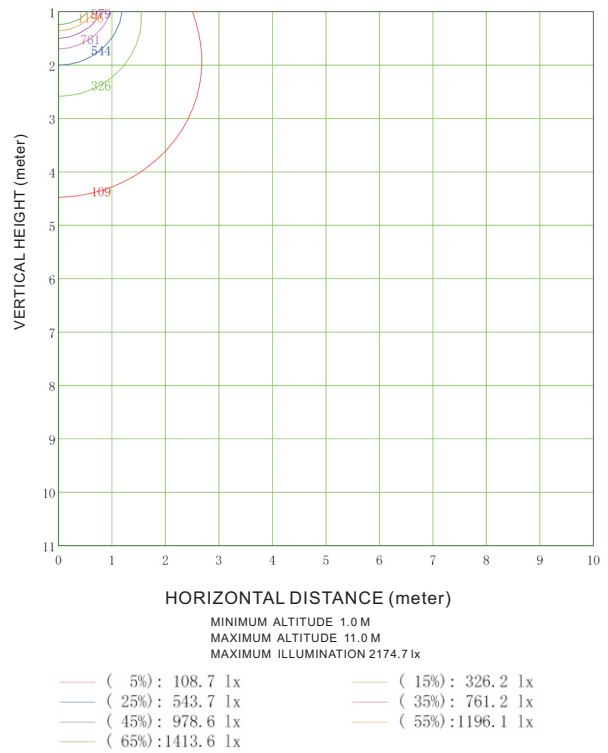
PHOTOMETRIC REPORT

2X4 TROFFER

LUMINOUS INTENSITY DISTRIBUTION DIAGRAM



VERTICAL EQUILUMINOUS CURVE



**ORDERING GUIDE**

| Package Information | | |
|---------------------|-----------------------------------|-----------------------------------|
| Model No. | HY-TRCB-XXW2x2P-XXK | HY-TRCB-XXW2x4P-XXK |
| Size | 2'x2' | 2'x4' |
| Qty/Pack | 2 PCS | |
| Package Size | 655X105X655mm/25.79"X4.13"X25.79" | 1260X105X655mm/49.6"X4.13"X25.79" |
| Package Weight | 7.7 kg/17 lbs | 14.5 kg/31.9 lbs |
| Package CBM | 0.045048 | 0.086657 |
| 40GP Capacity | ~2570 PCS | ~1330 PCS |
| 40HQ Capacity | ~3010 PCS | ~1560 PCS |
| 45HQ Capacity | ~3460 PCS | ~1800 PCS |

ORDERING CODE DEFINITION

| Company Code | Product | Watt | Size | XXK |
|--------------|------------------------------------|--------------------------------|---------|--|
| HY | TRCB: LED Center Basket Troffer | 2x2:25W 35W 2x4:33W 40W 50W | 2X2 2X4 | 30K: 3000K 40K: 4000K 50K: 5000K CCT Selectable |

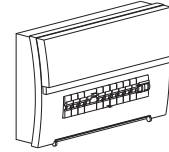
WARNING

- **RISK OF ELECTRIC SHOCK:** Make sure power supply is OFF before installing or cleaning fixture. No user serviceable parts inside. Do NOT use the fixture within high humidity conditions. Keep away from flammable and explosive environment Do NOT cover the fixture with insulation liner or similar material.
- Do NOT install where the fixture is loose or only partially supported.
- Do NOT impact or exert pressure on the fixture surface face or rear, as damage might occur.
- Suggested minimum clearance is 211mm after installation.

INSTALLATION INSTRUCTION

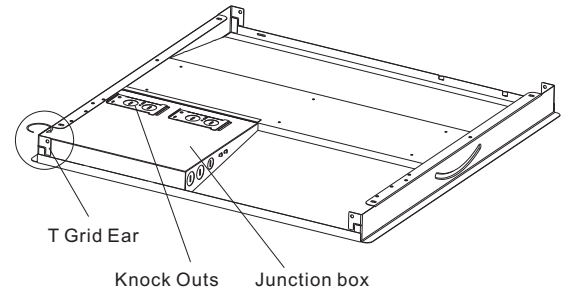
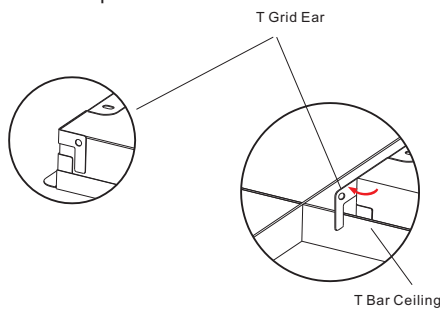
WARNING:

1. Switch off before installation.
2. Switch on only after complete installation and examination of the circuit.

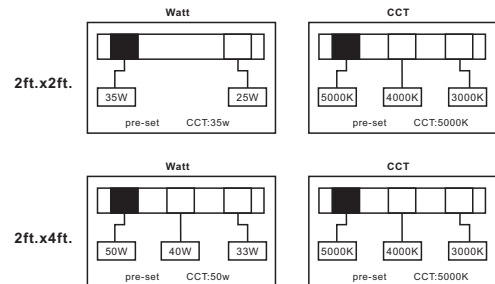
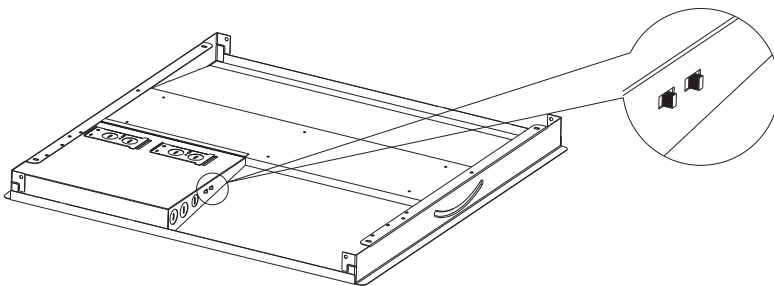

**Turn off
Power Supply**

1. Bring the TRCB Troffer into the T bar ceiling panel.
2. Bend T-grid ears over the top of the T bar ceiling.

Fold the hook up with 90°

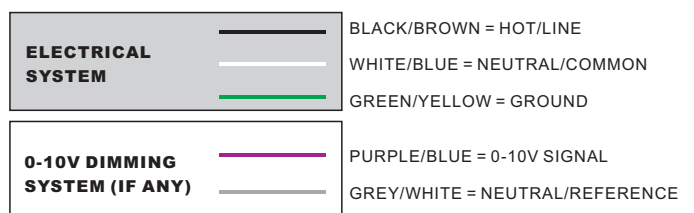


Adjusting the switch, and making the switch fix on the needed Watt and CCT.
Adjustable watt is 2x2ft: 25W/35W, 2x4ft: 33W/40W/50W, Adjustable CCT is 3000K/4000K/5000K.


WIRING GUIDE

1. Wire input end of the LED driver to supply wires using connector according to wiring section. Wire connections must be insulated.
2. Connect the BLACK/BROWN lead to LINE(+) supply lead.
3. Connect the WHITE/BLUE lead to NEUTRAL/Common (-) supply lead.
4. Connect the GREEN lead to GROUND supply lead.
5. If any, connect PURPLE/BLUE to 0-10V SIGNAL supply lead and GREY/WHITE to 0-10V NEUTRAL/REFERENCE supply lead.


CAUTION
RISK OF
ELECTRIC SHOCK

.DISCONNECT POWER BEFORE INSULATING OR SERVICING
.ALL ELECTRICAL WORK SHOULD BE COMPLETED BY QUALIFIED PERSONNEL
.AND MEET NATIONAL (NEC), REGIONAL AND LOCAL ELECTRICAL CODES
WIRING DIAGRAM

Zhejiang Hongyao Lighting Electrical Co., Ltd

 No.209 Shennan Rd. Da Yang Jie Dao, Linhai City. Zhejiang China 317000 www.chongyao.com
 Trading@chongyao.com Tel: +86 576-85381918 Fax: +86 576-85381913